

④ $\frac{1}{2}$ " FLAT BOARD
SCALE: $\frac{1}{4}$ " = 1"

BILL OF MATERIAL

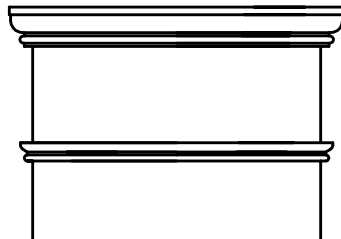
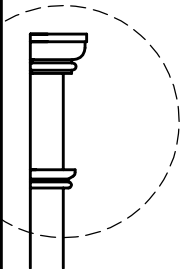
- ① BL#01 - BL2700 MODIFIED
- ② PL BASE CUT TO 10" HEIGHT, REMOVE BOTTOM
- ③ MD1480S
- ④ FLAT BOARD

OPERATIONS

- ① MITER WITH RETURN
- ② MITER ONLY
- ③ MITER ON SITE

GENERAL NOTES:

- PILASTER WILL BE SHIPPED IN THREE PIECES A, B & C, AND ASSEMBLED ON SITE
- PL PREMIUM ADHESIVE MUST BE USED ON ALL BEDDING/BUTT JOINTS



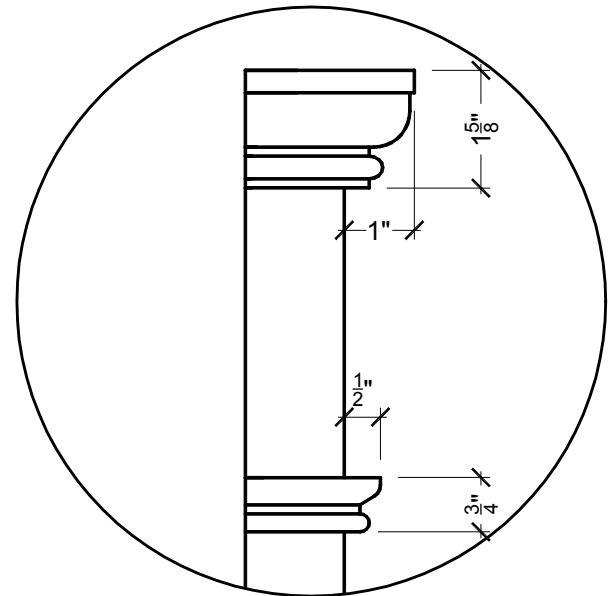
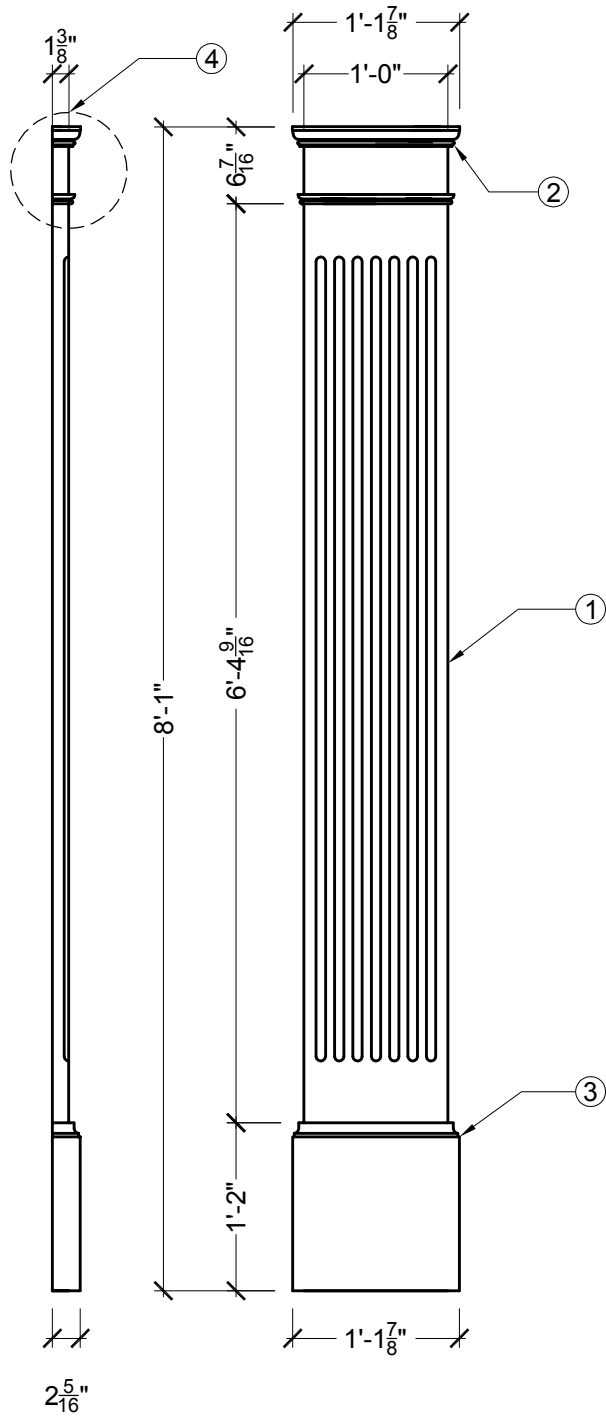
SPECTIS MOULDERS INC.

P.O. BOX 970 PHONE: 204-388-6700 BOX 479
 100 CEDAR DRIVE PHONE: 800-685-9981 PEMBINA,
 NIVERVILLE, MANITOBA FAX: 204-388-6710 NORTH DAKOTA
 CANADA R0A 1E0 U.S.A 58271-0479

GENERAL NOTES:
 1. ALL PRODUCTS ARE DRAWN FOR PRESENTATION PURPOSES, ONLY IMAGE MAY VARY SLIGHTLY FROM ACTURAL PART
 2. DRAWING INTENT IS TO INDICATE GENERAL ARRANGEMENT, DESIGN AND INTENT OF WORK IS PARTLY DIAGRAMATIC.
 3. SPECTIS RESERVES THE RIGHT TO CHANGE ANY PRODUCT DESIGN WITHOUT

© 2006, Spectis Moulders Inc. All rights reserved. This document may not be

CUSTOMER NAME: STANDARD PRODUCT		PART: XXXXXX	
REFERENCE: XXXXXXXX		SHEET: XX OF XX	
DRAWN BY: J-	DATE: 07/-/	SCALE: $\frac{1}{4}$ = 1"	REV:



4 PROFILE DETAIL
SCALE: 3/8" = 1"

BILL OF MATERIAL

- ① PL1296F
- ② MD1472
- ③ PL BASE

GENERAL NOTES:

-PL PREMIUM ADHESIVE MUST BE USED ON ALL BEDDING/BUTT JOINTS



SPECTIS MOULDERS INC.

P.O. BOX 970
100 CEDAR DRIVE
NIVERVILLE, MANITOBA
CANADA R0A 1E0

PHONE: 204-388-6700
PHONE: 800-685-9981
FAX: 204-388-6710

BOX 479
PEMBINA,
NORTH DAKOTA
58271-0479
U.S.A

GENERAL NOTES:

1. ALL PRODUCTS ARE DRAWN FOR PRESENTATION PURPOSES, ONLY IMAGE MAY VARY SLIGHTLY FROM ACTUAL PART
2. DRAWING INTENT IS TO INDICATE GENERAL ARRANGEMENT, DESIGN AND INTENT OF WORK IS PARTLY DIAGRAMATIC.
3. SPECTIS RESERVES THE RIGHT TO CHANGE ANY PRODUCT DESIGN WITHOUT

© 2006, Spectis Moulders Inc. All rights reserved. This document may not be

CUSTOMER NAME:		PART:	
STANDARD PRODUCT		PL1296F	
REFERENCE:		SHEET:	
PILASTER		01 OF 01	
DRAWN BY:	DATE:	SCALE:	REV:
JRB	10/05/07	1/16" = 1"	