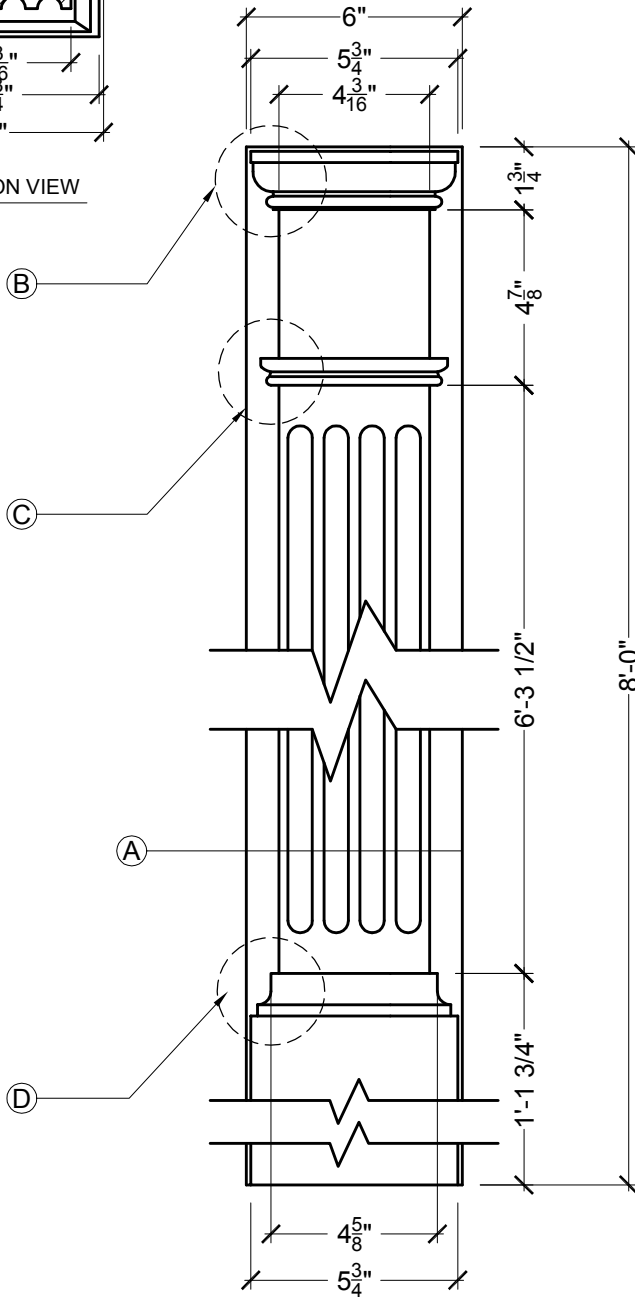
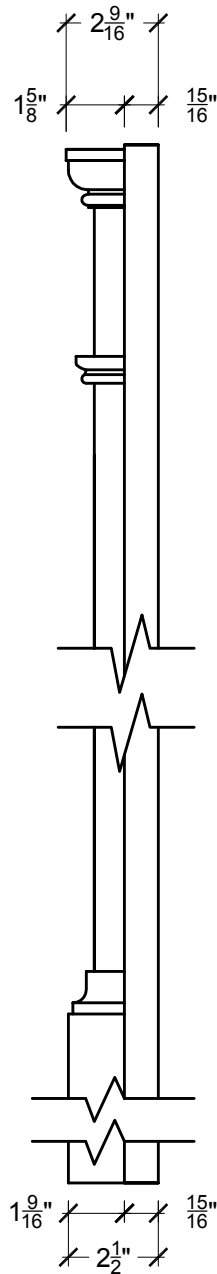


A SECTION VIEW



FRONT VIEW



SIDE VIEW

GENERAL NOTES:

-PL PREMIUM ADHESIVE MUST BE USED ON ALL BEDDING/BUTT JOINTS

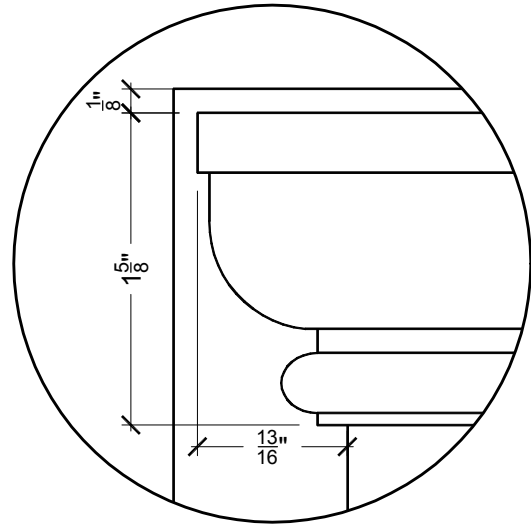
SPECTIS MOULDERS INC.
 P.O. BOX 970
 100 CEDAR DRIVE
 NIVERVILLE, MANITOBA
 CANADA R0A 1E0

PHONE: 204-388-6700
 PHONE: 800-685-9981
 FAX: 204-388-6710

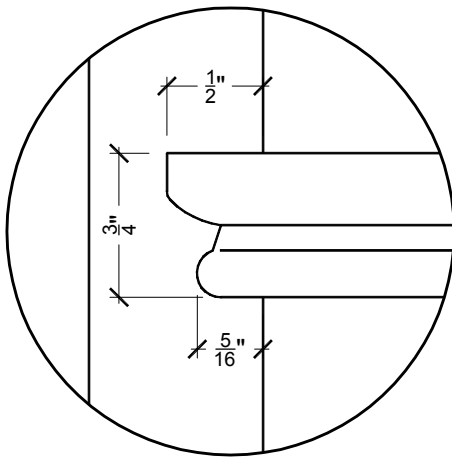
BOX 479
 PEMBINA,
 NORTH DAKOTA
 58271-0479
 U.S.A

GENERAL NOTES:
 1. ALL PRODUCTS ARE DRAWN FOR PRESENTATION PURPOSES, ONLY IMAGE MAY VARY SLIGHTLY FROM ACTUAL PART
 2. DRAWING INTENT IS TO INDICATE GENERAL ARRANGEMENT, DESIGN AND INTENT OF WORK IS PARTLY DIAGRAMATIC.
 3. SPECTIS RESERVES THE RIGHT TO CHANGE ANY PRODUCT DESIGN WITHOUT

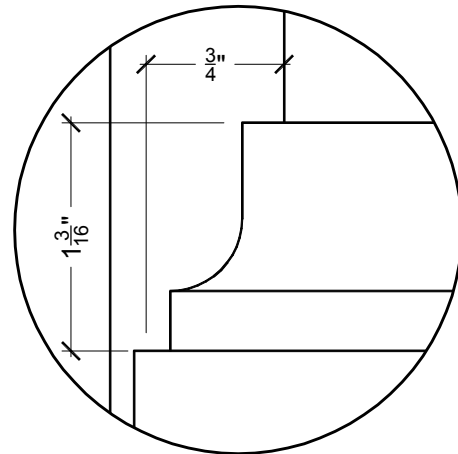
CUSTOMER NAME: STANDARD PRODUCT		PART: PL696 F	
REFERENCE: PILASTER		SHEET: 01 OF 02	
DRAWN BY: JRB	DATE: 07/12/07	SCALE: 3/16 = 1"	REV:



B DETAIL A
SCALE: 1" = 1"



C DETAIL B
SCALE: 1" = 1"



D DETAIL C
SCALE: 1" = 1"

SPECTIS MOULDERS INC.

P.O. BOX 970
100 CEDAR DRIVE
NIVERVILLE, MANITOBA
CANADA R0A 1E0

PHONE: 204-388-6700
PHONE: 800-685-9981
FAX: 204-388-6710

BOX 479
PEMBINA,
NORTH DAKOTA
58271-0479
U.S.A

GENERAL NOTES:
1. ALL PRODUCTS ARE DRAWN FOR PRESENTATION PURPOSES, ONLY IMAGE MAY VARY SLIGHTLY FROM ACTUAL PART
2. DRAWING INTENT IS TO INDICATE GENERAL ARRANGEMENT, DESIGN AND INTENT OF WORK IS PARTLY DIAGRAMATIC.
3. SPECTIS RESERVES THE RIGHT TO CHANGE ANY PRODUCT DESIGN WITHOUT

CUSTOMER NAME:		PART:	
STANDARD PRODUCT		PL696 F	
REFERENCE:		SHEET:	
PILASTER		02 OF 02	
DRAWN BY:	DATE:	SCALE:	REV:
JRB	07/12/07	1" = 1"	