

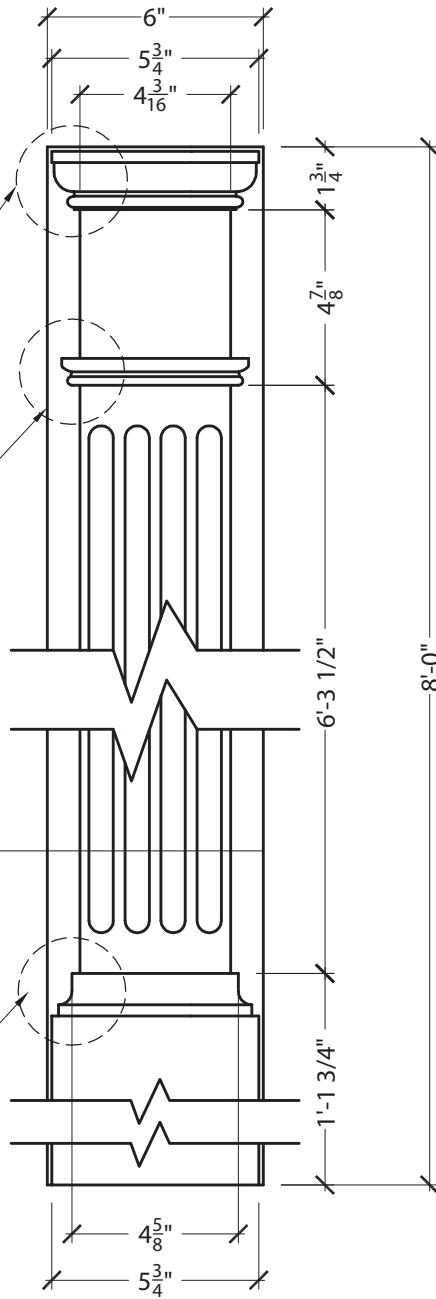
**A** SECTION VIEW

**B**

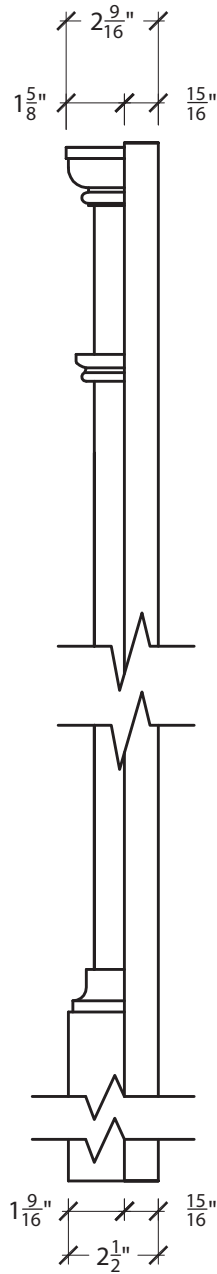
**C**

**A**

**D**



FRONT VIEW



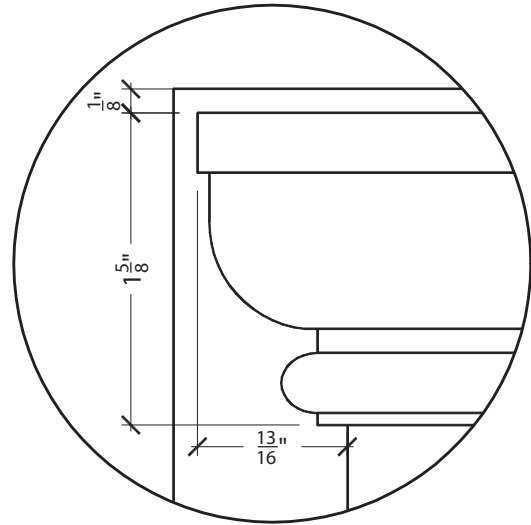
SIDE VIEW

GENERAL NOTES:

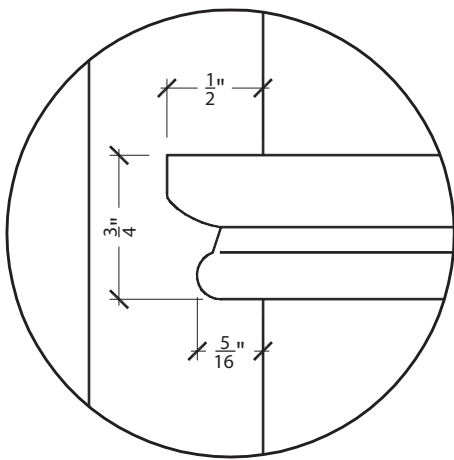
-PL PREMIUM ADHESIVE MUST BE USED ON ALL BEDDING/BUTT JOINTS



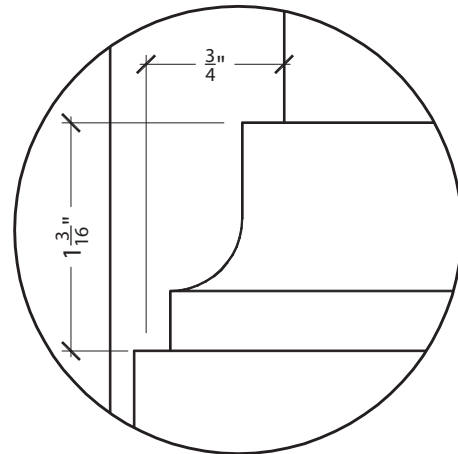
CUSTOMER NAME: STANDARD PRODUCT			PART: PL696 F
REFERENCE: PILASTER			SHEET: 01 OF 02
DRAWN BY: JRB	DATE: 07/12/07	SCALE: 3/16 = 1"	REV:



**B** DETAIL A  
SCALE: 1" = 1"



**C** DETAIL B  
SCALE: 1" = 1"



**D** DETAIL C  
SCALE: 1" = 1"

CUSTOMER NAME: STANDARD PRODUCT			PART: PL696 F
REFERENCE: PILASTER			SHEET: 02 OF 02
DRAWN BY: JRB	DATE: 07/12/07	SCALE: 1" = 1"	REV: