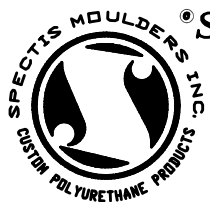
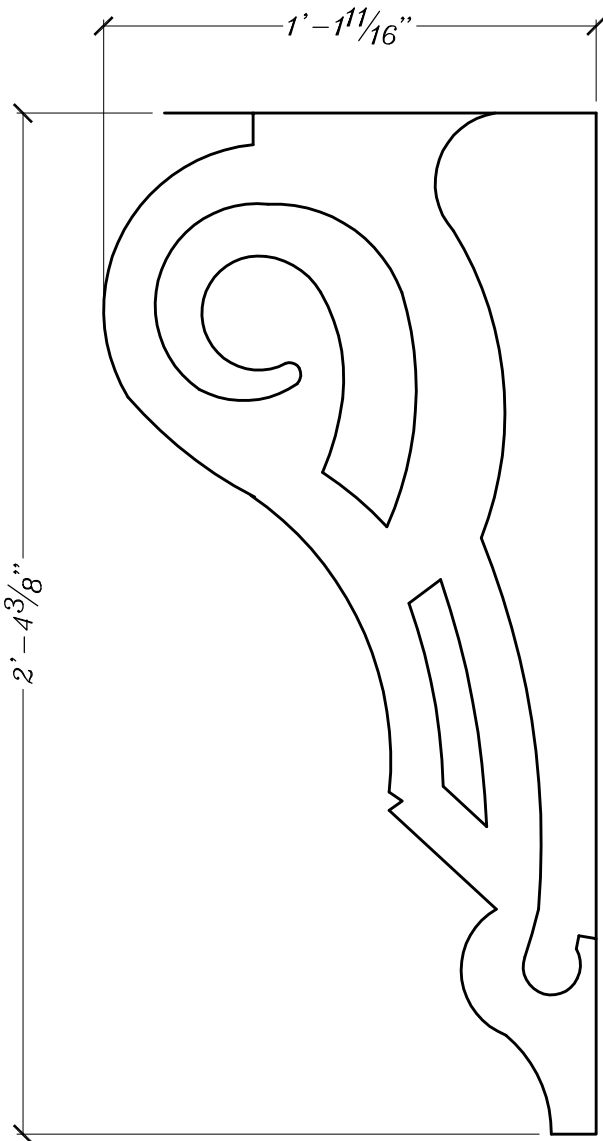
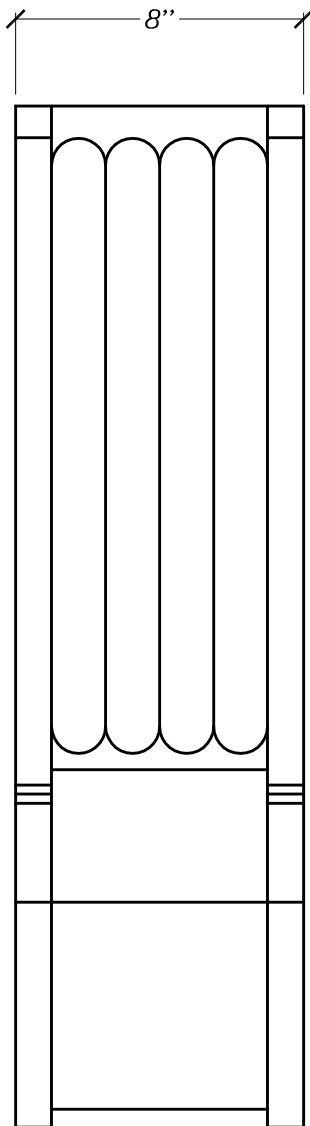


SPECTIS MOULDERS INC.
1-800-685-9981

- NOTES:
1. ALL PRODUCTS ARE DRAWN FOR PRESENTATION PURPOSES. THEREFORE IMAGE MAY VARY SLIGHTLY FROM ACTUAL PART.
2. DRAWING INTENT IS TO INDICATE GENERAL ARRANGEMENT. DESIGN AND INTENT OF WORK IS PARTLY DIAGRAMATIC.
3. SPECTIS RESERVES THE RIGHT TO CHANGE ANY PRODUCT DESIGN WITHOUT NOTIFICATION.

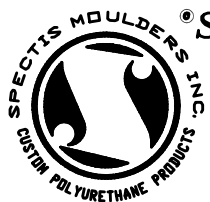
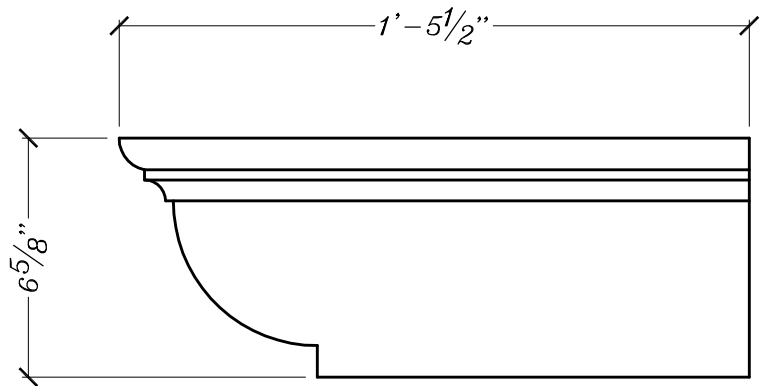
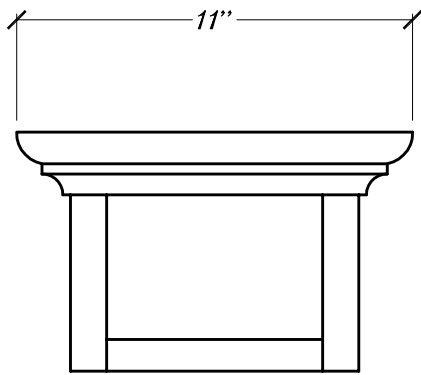
CUSTOMER/PRO. NAME & QUOTE#: STANDARD PRODUCT		TITLE: BLOCK	
BILL OF MAT / PART #: BL 2429		SCALE: 3/16" = 1"	DATE: 05/01/04
		DWG BY: JB	REV



SPECTIS MOULDERS INC.
1-800-685-9981

NOTES:
 1. ALL PRODUCTS ARE DRAWN FOR PRESENTATION PURPOSES, THEREFORE IMAGE MAY VARY SLIGHTLY FROM ACTUAL PART.
 2. DRAWING INTENT IS TO INDICATE GENERAL ARRANGEMENT, DESIGN AND INTENT OF WORK IS PARTLY DIAGRAMATIC.
 3. SPECTIS RESERVES THE RIGHT TO CHANGE ANY PRODUCT DESIGN WITHOUT NOTIFICATION.

CUSTOMER/PRO. NAME & QUOTE#: STANDARD PRODUCT		TITLE: BLOCK	
BILL OF MAT / PART #: BL 2429 PART A		SCALE: 3/16" = 1"	DATE: 05/01/04
		DWG BY: JB	REV



SPECTIS MOULDERS INC.
1-800-685-9981

NOTES:
 1. ALL PRODUCTS ARE DRAWN FOR PRESENTATION PURPOSES, THEREFORE IMAGE MAY VARY SLIGHTLY FROM ACTUAL PART.
 2. DRAWING INTENT IS TO INDICATE GENERAL ARRANGEMENT, DESIGN AND INTENT OF WORK IS PARTLY DIAGRAMATIC.
 3. SPECTIS RESERVES THE RIGHT TO CHANGE ANY PRODUCT DESIGN WITHOUT NOTIFICATION.

CUSTOMER/PRO. NAME & QUOTE#:

STANDARD PRODUCT

TITLE:

BLOCK

BILL OF MAT / PART #:

BL 2429
 PART B

SCALE:

3/16" = 1"

DATE:

05/01/04

DWG BY:

JB

REV