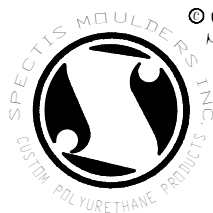


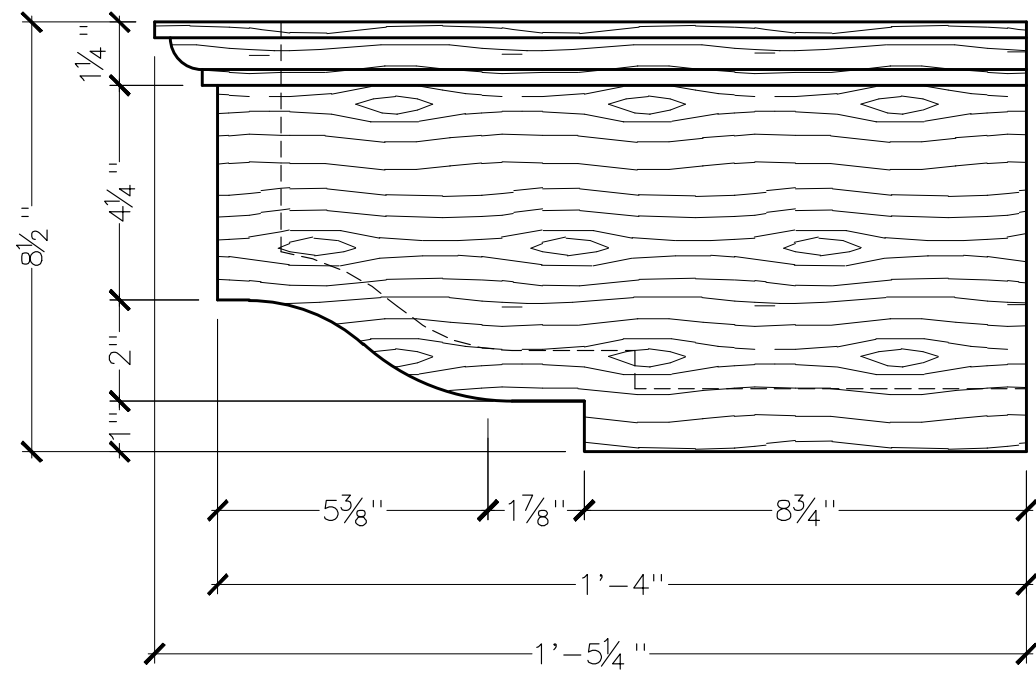
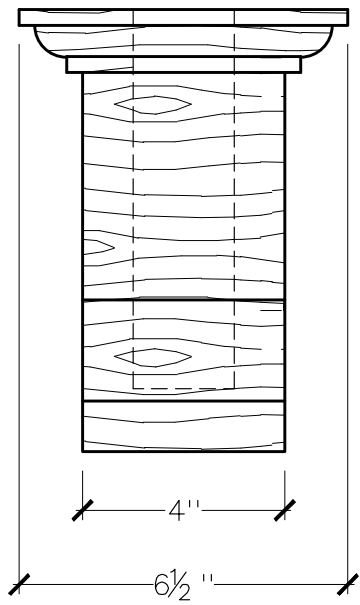
NOTE: BLOCK WILL BE MADE HOLLOW



SPECTIS MOULDERS INC.
 1-800-685-9981

NOTES:
 1. ALL PRODUCTS ARE DRAWN FOR PRESENTATION PURPOSES. THEREFORE IMAGE MAY VARY SLIGHTLY FROM ACTUAL PART.
 2. DRAWING INTENT IS TO INDICATE GENERAL ARRANGEMENT, DESIGN AND INTENT OF WORK IS PARTLY DIAGRAMATIC.
 3. SPECTIS RESERVES THE RIGHT TO CHANGE ANY PRODUCT DESIGN WITHOUT NOTIFICATION.

CUSTOMER/PRO. NAME & QUOTE#: STANDARD PRODUCT		TITLE: BLOCK	
BILL OF MAT / PART #: BL2899		SCALE: 3/16" = 1"	DATE: 06/10/12
		DWG BY: JB	REV



GENERAL NOTES:
 -ALL CUSTOM MANUFACTURED AND/OR
 MODIFIED STANDARD PRODUCTS ARE
 NON-RETURNABLE

-PL PREMIUM ADHESIVE MUST BE USED
 ON ALL BEDDING/BUTT JOINTS

© SPECTIS MOULDERS INC.

P.O. BOX 970
 100 CEDAR DRIVE
 NIVERVILLE, MANITOBA
 CANADA R0A 1E0

PHONE: 204-388-6700
 PHONE: 800-685-9981
 FAX: 204-388-6710

BOX 479
 PEMBINA,
 NORTH DAKOTA
 58271-0479
 U.S.A

GENERAL NOTES:
 1. ALL PRODUCTS ARE DRAWN FOR PRESENTATION PURPOSE, ONLY IMAGE MAY VARY SLIGHTLY FROM ACTUAL PART
 2. DRAWING INTENT IS TO INDICATE GENERAL ARRANGEMENT, DESIGN AND INTENT OF WORK IS PARTLY DIAGRAMMATIC.
 3. SPECTIS RESERVES THE RIGHT TO CHANGE ANY PRODUCT DESIGN WITHOUT NOTICE.

CUSTOMER NAME: STANDARD PRODUCT		PART: BL 3012-RS	
REFERENCE: BLOCK		SHEET: 1 OF 1	
DRAWN BY: KN	DATE: 26/08/08	SCALE: 1/4" = 1"	REV:

© 2006, Spectis Moulders Inc. All rights reserved. This document may not be used or duplicate without prior consent.