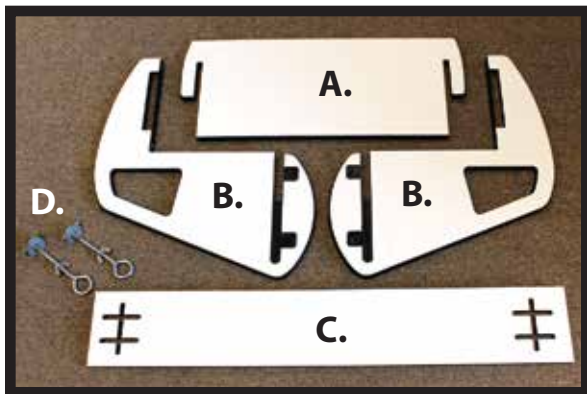




# Installation/ Assembly Guide



## Parts List

Your package should include:

- A. Platform step (1)
- B. Side Panels (2)
- C. Mounting step (1)
- D. Mounting 'T' Bolts with wing nuts & washer (2 sets)

## Assembly

1. Slide the pre-cut groove on the platform (A) in to the pre-cut groove of the side panel (B) as shown in Fig. 1.

2. Repeat Step 1. with the second side panel (B).

3. Slide the mounting step (C) from the outside in towards the middle and pass through second opening on opposite side. Fig 3.

4. Place the mounting 'T' bolts (D) down through the openings of the mounting step (C.) resting the washer and wing nut on the top of the mounting step (C.).

5. Place the mounting 'T' bolt (D) through the opening of the dock deck boards and turn the bolt to be perpendicular with the board. Once in place, rotate wing nut clock wise to tighten mounting step (C) to dock.

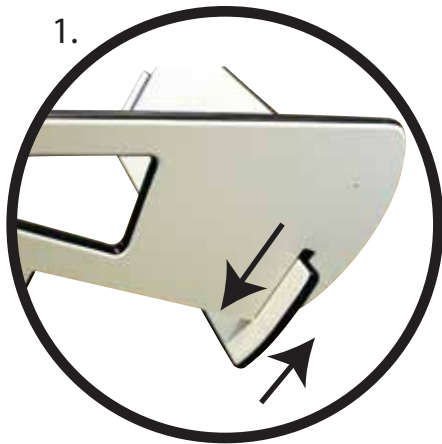


Fig. 1

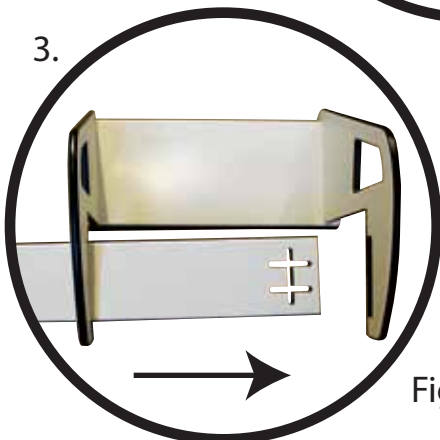


Fig. 3

