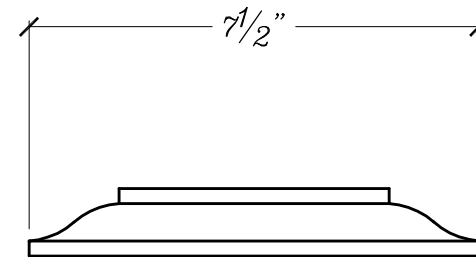
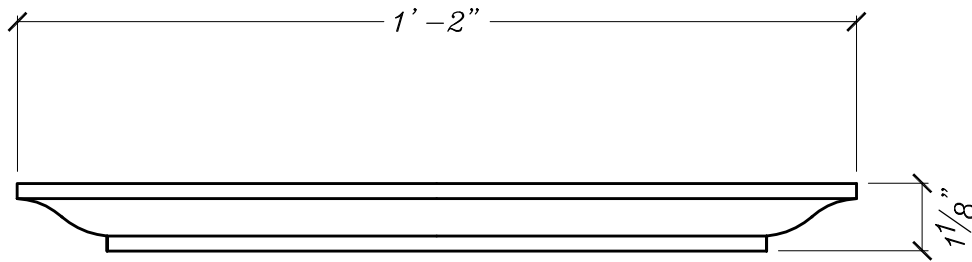


SPECTIS MOULDERS INC.
1-800-685-9981

NOTES:

1. ALL PRODUCTS ARE DRAWN FOR PRESENTATION PURPOSES, THEREFORE IMAGE MAY VARY SLIGHTLY FROM ACTUAL PART.
2. DRAWING INTENT IS TO INDICATE GENERAL ARRANGEMENT, DESIGN AND INTENT OF WORK IS PARTLY DIAGRAMATIC.
3. SPECTIS RESERVES THE RIGHT TO CHANGE ANY PRODUCT DESIGN WITHOUT NOTIFICATION.

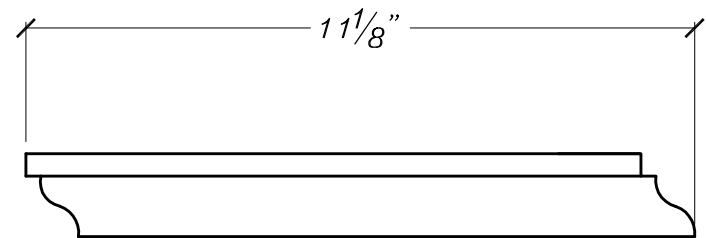
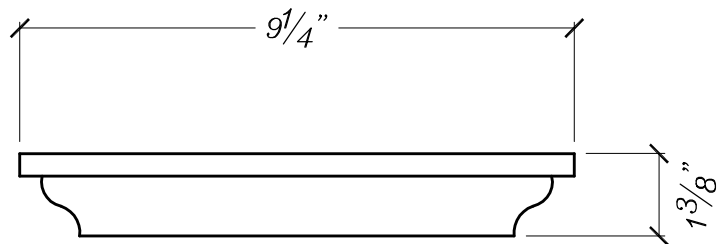
CUSTOMER/PRO. NAME & QUOTE#: STANDARD PRODUCT		TITLE: BLOCK	
BILL OF MAT / PART #: BL 2483		SCALE: 5/8" = 1"	DATE: 05/01/04
		DWG BY: JB	REV



SPECTIS MOULDERS INC.
1-800-685-9981

NOTES:
 1. ALL PRODUCTS ARE DRAWN FOR PRESENTATION PURPOSES, THEREFORE IMAGE MAY VARY SLIGHTLY FROM ACTUAL PART.
 2. DRAWING INTENT IS TO INDICATE GENERAL ARRANGEMENT, DESIGN AND INTENT OF WORK IS PARTLY DIAGRAMATIC.
 3. SPECTIS RESERVES THE RIGHT TO CHANGE ANY PRODUCT DESIGN WITHOUT NOTIFICATION.

CUSTOMER/PRO. NAME & QUOTE#: STANDARD PRODUCT		TITLE: BLOCK	
BILL OF MAT / PART #: BL 2483 PART C		SCALE: 5/16" = 1"	DATE: 05/01/04
		DWG BY: JB	REV

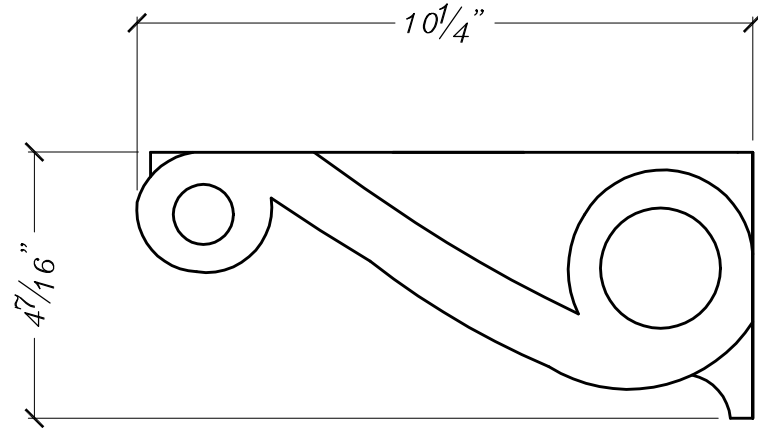
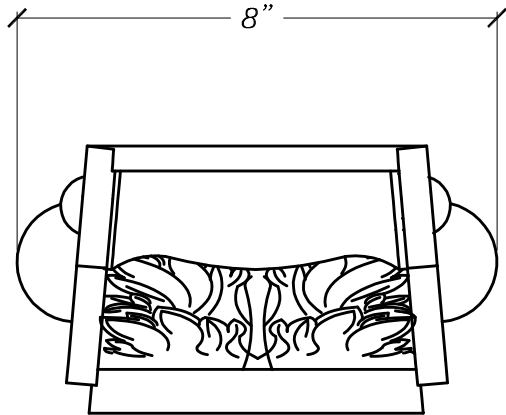


SPECTIS MOULDERS INC.
1-800-685-9981

NOTES:

1. ALL PRODUCTS ARE DRAWN FOR PRESENTATION PURPOSES, THEREFORE IMAGE MAY VARY SLIGHTLY FROM ACTUAL PART.
2. DRAWING INTENT IS TO INDICATE GENERAL ARRANGEMENT, DESIGN AND INTENT OF WORK IS PARTLY DIAGRAMATIC.
3. SPECTIS RESERVES THE RIGHT TO CHANGE ANY PRODUCT DESIGN WITHOUT NOTIFICATION.

CUSTOMER/PRO. NAME & QUOTE#:		TITLE:	
STANDARD PRODUCT		BLOCK	
BILL OF MAT / PART #:		SCALE:	DATE:
BL 2483 PART B		5/8" = 1"	05/01/04
		DWG BY:	REV
		JB	



SPECTIS MOULDERS INC.
1-800-685-9981

NOTES:
 1. ALL PRODUCTS ARE DRAWN FOR PRESENTATION PURPOSES, THEREFORE IMAGE MAY VARY SLIGHTLY FROM ACTUAL PART.
 2. DRAWING INTENT IS TO INDICATE GENERAL ARRANGEMENT, DESIGN AND INTENT OF WORK IS PARTLY DIAGRAMATIC.
 3. SPECTIS RESERVES THE RIGHT TO CHANGE ANY PRODUCT DESIGN WITHOUT NOTIFICATION.

CUSTOMER/PRO. NAME & QUOTE#: STANDARD PRODUCT		TITLE: BLOCK	
BILL OF MAT / PART #: BL 2483 PART A		SCALE: $\frac{5}{16}'' = 1''$	DATE: 05/01/04
		DWG BY: JB	REV