

BILL OF MATERIAL

- ① BL2956A
- ② BL2956B

GENERAL NOTES:

-CORBLE AND PLATE FIT MOULDING MD1786
 -PL PREMIUM ADHESIVE MUST BE USED ON ALL BEDDING/BUTT JOINTS



© 2006, Spectis Moulders Inc. All rights reserved. This document may not be

SPECTIS MOULDERS INC.

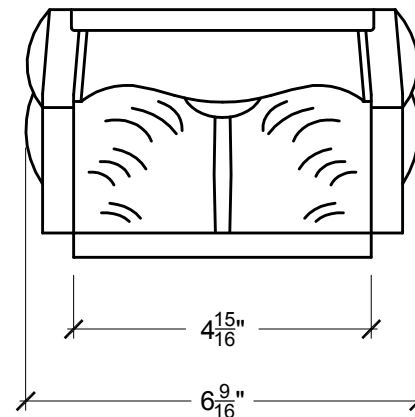
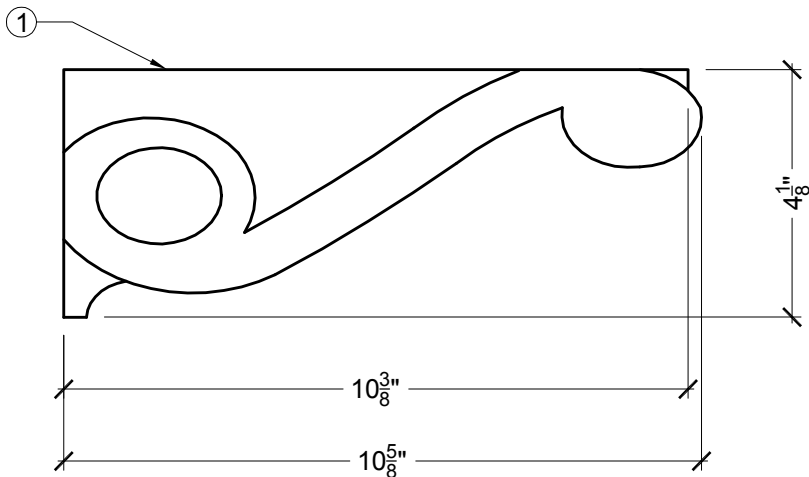
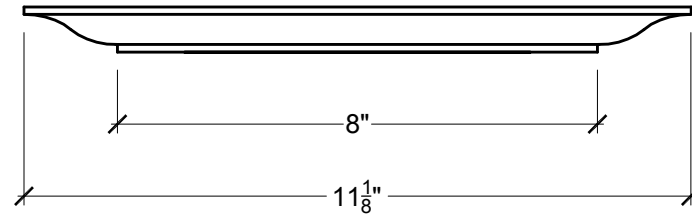
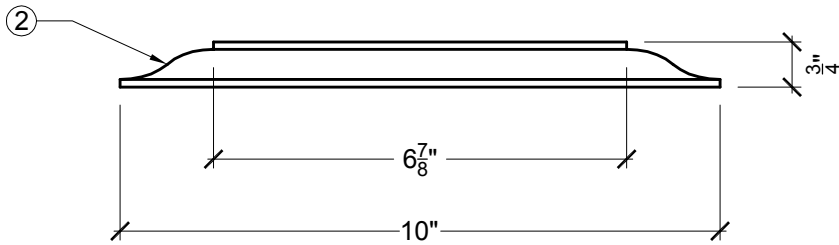
P.O. BOX 970
 100 CEDAR DRIVE
 NIVERVILLE, MANITOBA
 CANADA R0A 1E0

PHONE: 204-388-6700
 PHONE: 800-685-9981
 FAX: 204-388-6710

BOX 479
 PEMBINA,
 NORTH DAKOTA
 58271-0479
 U.S.A

GENERAL NOTES:
 1. ALL PRODUCTS ARE DRAWN FOR PRESENTATION PURPOSES, ONLY IMAGE MAY VARY SLIGHTLY FROM ACTURAL PART
 2. DRAWING INTENT IS TO INDICATE GENERAL ARRANGEMENT, DESIGN AND INTENT OF WORK IS PARTLY DIAGRAMATIC.
 3. SPECTIS RESERVES THE RIGHT TO CHANGE ANY PRODUCT DESIGN WITHOUT

CUSTOMER NAME: STANDARD PRODUCT		PART: BL2956 ASSMEBLE	
REFERENCE: BLOCK		SHEET: 01 OF 02	
DRAWN BY: JB	DATE: 09/24/07	SCALE: 5/16" = 1"	REV:



*SEE NOTES PAGE 01



© 2006, Spectis Moulders Inc. All rights reserved. This document may not be

SPECTIS MOULDERS INC.

P.O. BOX 970
100 CEDAR DRIVE
NIVERVILLE, MANITOBA
CANADA R0A 1E0

PHONE: 204-388-6700
PHONE: 800-685-9981
FAX: 204-388-6710

BOX 479
PEMBINA,
NORTH DAKOTA
58271-0479
U.S.A.

GENERAL NOTES:
1. ALL PRODUCTS ARE DRAWN FOR PRESENTATION PURPOSES, ONLY IMAGE MAY VARY SLIGHTLY FROM ACTURAL PART
2. DRAWING INTENT IS TO INDICATE GENERAL ARRANGEMENT, DESIGN AND INTENT OF WORK IS PARTLY DIAGRAMATIC.
3. SPECTIS RESERVES THE RIGHT TO CHANGE ANY PRODUCT DESIGN WITHOUT

CUSTOMER NAME: STANDARD PRODUCT		PART: BL2956 A & B	
REFERENCE: BLOCK		SHEET: 02 OF 02	
DRAWN BY: JB	DATE: 09/24/07	SCALE: 5/16 = 1"	REV: