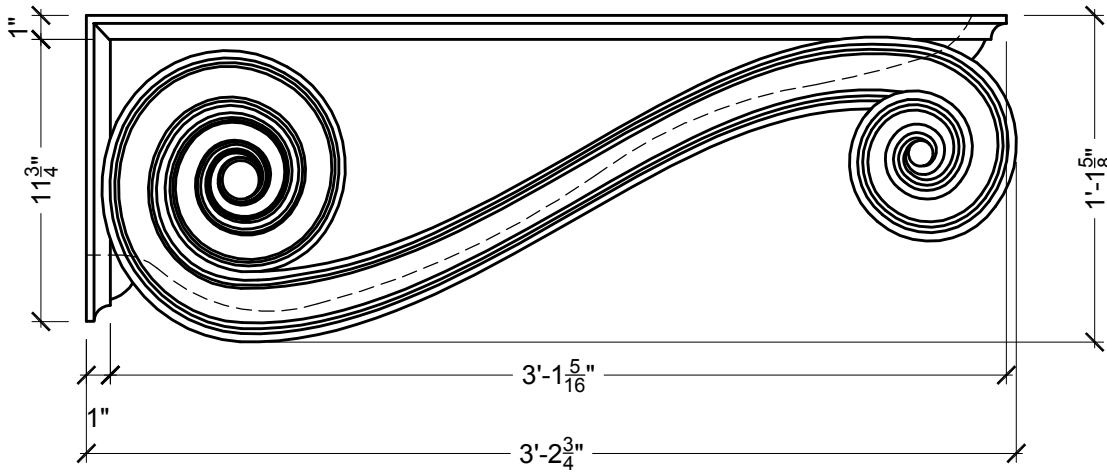
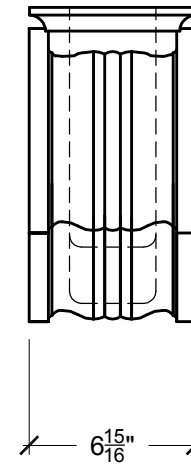


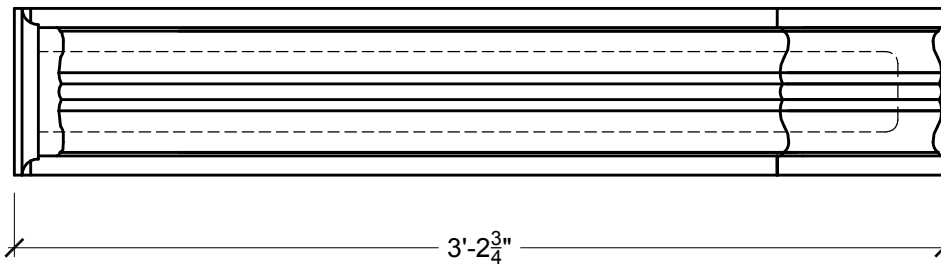
SIDE VIEW



FRONT VIEW



BOTTOM VIEW

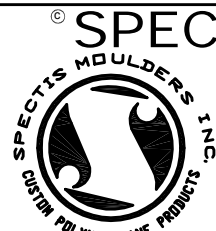


**BILL OF MATERIAL**

- ① BL 2960

**GENERAL NOTES:**

- BLOCK TO HAVE HOLLOW INTERIOR
- PL PREMIUM ADHESIVE MUST BE USED ON ALL BEDDING/BUTT JOINTS



© 2006, Spectis Moulders Inc. All rights reserved. This document may not be

**SPECTIS MOULDERS INC.**

P.O. BOX 970  
100 CEDAR DRIVE  
NIVERVILLE, MANITOBA  
CANADA R0A 1E0

PHONE: 204-388-6700  
PHONE: 800-685-9981  
FAX: 204-388-6710

BOX 479  
PEMBINA,  
NORTH DAKOTA  
58271-0479  
U.S.A

- GENERAL NOTES:
1. ALL PRODUCTS ARE DRAWN FOR PRESENTATION PURPOSES, ONLY IMAGE MAY VARY SLIGHTLY FROM ACTUAL PART
  2. DRAWING INTENT IS TO INDICATE GENERAL ARRANGEMENT, DESIGN AND INTENT OF WORK IS PARTLY DIAGRAMATIC.
  3. SPECTIS RESERVES THE RIGHT TO CHANGE ANY PRODUCT DESIGN WITHOUT

CUSTOMER NAME: STANDARD PRODUCT		PART: BL 2960	
REFERENCE: BLOCK		SHEET: 1 OF 1	
DRAWN BY: JE	DATE: 09/05/07	SCALE: 1/8" = 1"	REV: